



FIRESTOP CENTRE

Authorised New Zealand Distributor
Ph (09) 483 4000 www.firestopcentre.co.nz

AGNI-Wrap in 2 x 13mm Plasterboard Wall or 116mm Concrete/Masonry/Block Wall PVC-U Conduit (up to 50mm) with up to 14 TPS Cables Max FRR -/120/120

System ID# FC225

Step-by-step installation instructions:

1. Ensure the aperture is clean.
2. Fill the aperture with 26mm (nominal) deep AGNI-Seal (to the full depth of the lining).
3. Tightly install one layer of AGNI-Wrap 25 around the pipe, allowing no less than 10mm overlap.
4. Position AGNI-Wrap 25 firmly against the wall.
5. Fasten AGNI-Wrap 25 with an AGNI-Strap, approximately in the middle of the wrap.
6. Secure AGNI-Wrap 25 to the wall using two AGNI-Clips, fixing each of them with a screw.



Technical Information

Substrate	<ul style="list-style-type: none"> • Min. 64mm steel or timber stud wall with a minimum of two layers of 13mm (or greater) FR plasterboard on each side, with or without insulation. • Min. 116mm concrete wall
Service type	DN - 50mm uPVC conduit, empty or filled with up to 14 TPS cables
Size	Inner diameter (ID): 43.5mm; Outer diameter: 50mm; up to 3mm pipe wall thickness
Annular gap	Min: 5mm, Max: 12.5mm
AGNI-Wrap 25 (standard) layers	1
AGNI-Clips	2
AGNI-Products	AGNI-Seal, AGNI-Wrap 25, AGNI-Clips, AGNI-Strap
Protection installation	Both sides of the wall

Compliance Information

Standards	AS1530.4-2014, AS4072.1-2005
FRR/FRL	-/120/120
Reference	RIRF 24016



Agnitek[®]
FIRE RATED TECHNOLOGY

8 Clare St Bayswater
VIC 3153, AUSTRALIA
www.agnitek.com.au

Disclaimer

Agnitek reserves the right to modify product specifications without prior notice due to its ongoing research, development & certification programme. The information in this document is provided in good faith and is intended for guidance purposes only. Any accompanying drawings are solely for illustrative purposes. Since Agnitek cannot oversee installation methods or ensure site conditions, no warranties, expressed or implied, are intended regarding the products' actual performance. We do not accept liability for any loss, damage, or injury from using this information. Please take a look at the test reports displayed on a relevant AGNI-System webpage for all compliance specifics.

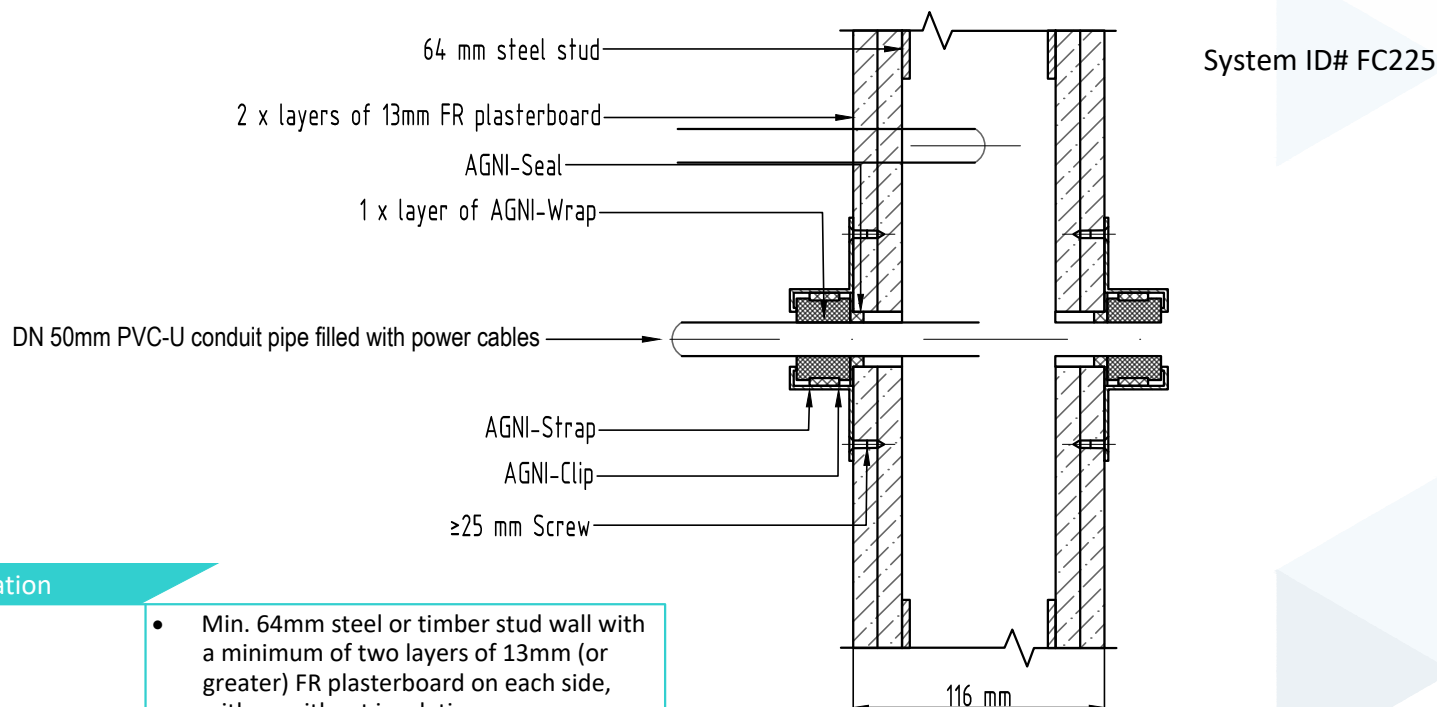
Date	08.04.2024
------	------------



FIRESTOP CENTRE

Authorised New Zealand Distributor
Ph (09) 483 4000 www.firestopcentre.co.nz

AGNI-Wrap in 2 x 13mm Plasterboard Wall or 116mm Concrete/Masonry/Block Wall PVC-U Conduit (up to 50mm) with up to 14 TPS Cables Max FRR -/120/120



Technical Information

Substrate	<ul style="list-style-type: none"> Min. 64mm steel or timber stud wall with a minimum of two layers of 13mm (or greater) FR plasterboard on each side, with or without insulation. Min. 116mm concrete wall
Service type	DN - 50mm uPVC conduit, empty or filled with up to 14 TPS cables
Size	Inner diameter (ID): 43.5mm; Outer diameter: 50mm; up to 3mm pipe wall thickness
Annular gap	Min: 5mm, Max: 12.5mm
AGNI-Wrap 25 (standard) layers	1
AGNI-Clips	2
AGNI-Products	AGNI-Seal, AGNI-Wrap 25, AGNI-Clips, AGNI-Strap
Protection installation	Both sides of the wall

Compliance Information

Standards	AS1530.4-2014, AS4072.1-2005
FRR/FRL	-/120/120
Reference	RIRF 24016



Agnitek[®]
FIRE RATED TECHNOLOGY

8 Clare St Bayswater
VIC 3153, AUSTRALIA
www.agnitek.com.au

Disclaimer

Agnitek reserves the right to modify product specifications without prior notice due to its ongoing research, development & certification programme. The information in this document is provided in good faith and is intended for guidance purposes only. Any accompanying drawings are solely for illustrative purposes. Since Agnitek cannot oversee installation methods or ensure site conditions, no warranties, expressed or implied, are intended regarding the products' actual performance. We do not accept liability for any loss, damage, or injury from using this information. Please take a look at the test reports displayed on a relevant AGNI-System webpage for all compliance specifics.

Date 08.04.2024